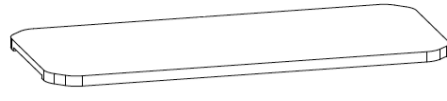


CHARLOTTE BOOKCASE SHELVES

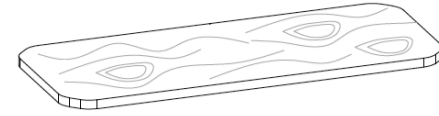
* NOT TO SCALE



SHELF A - Glass
W: 76cm D: 34cm H: 1cm



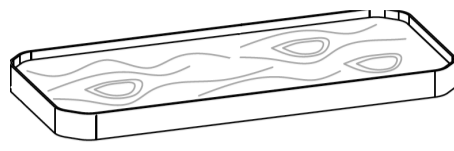
SHELF B - Lacquered Wood
W: 76cm D: 34cm H: 2cm



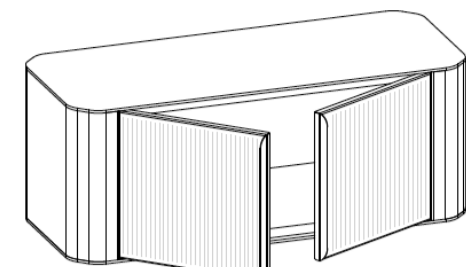
SHELF C - Veneer Wood
W: 76cm D: 34cm H: 2cm



DEEP SHELF D - Lacquered Wood
With Metal Frame
W: 77cm D: 35cm H: 5cm



DEEP SHELF E - Veneer Wood
With Metal Frame
W: 77cm D: 35cm H: 5cm

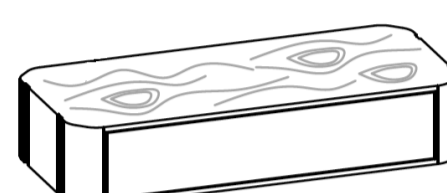


DOOR UNIT F - Metal
W: 77cm D: 34cm H: 30cm

SELECT FITTINGS FINISH

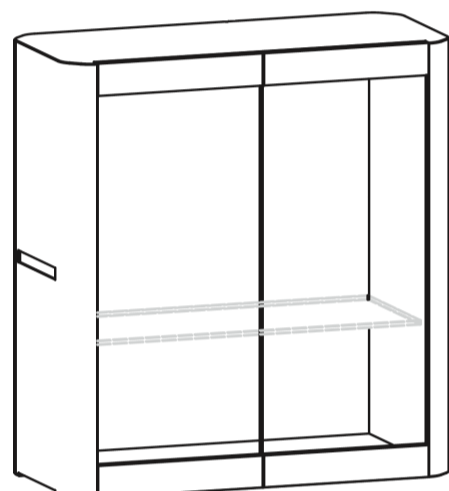
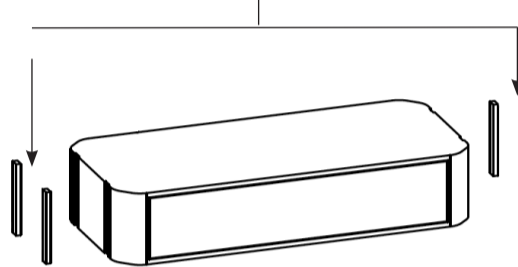


DRAWER UNIT M - Lacquered Wood
W: 76cm D: 34cm H: 15cm

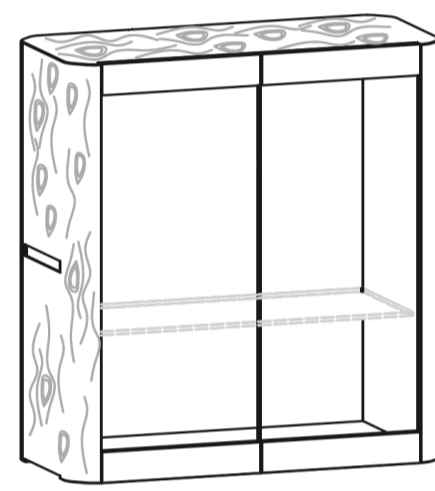


DRAWER UNIT N - Veneer Wood
W: 76cm D: 34cm H: 15cm

SELECT FITTINGS FINISH

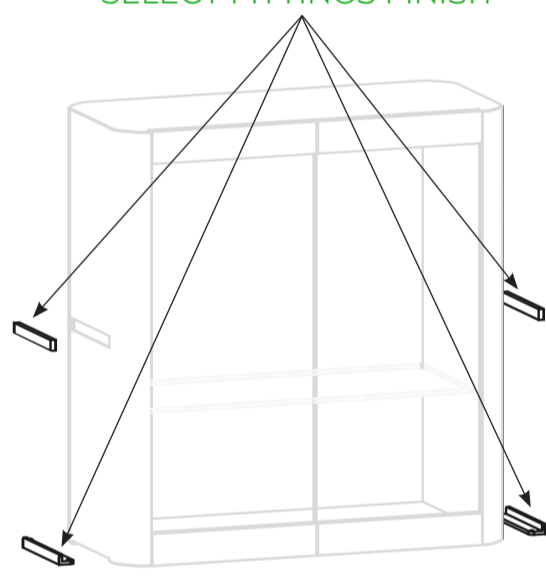


CABINET G - Lacquered Wood
W: 77cm D: 35cm H: 81cm
Occupies the space of 3 shelves

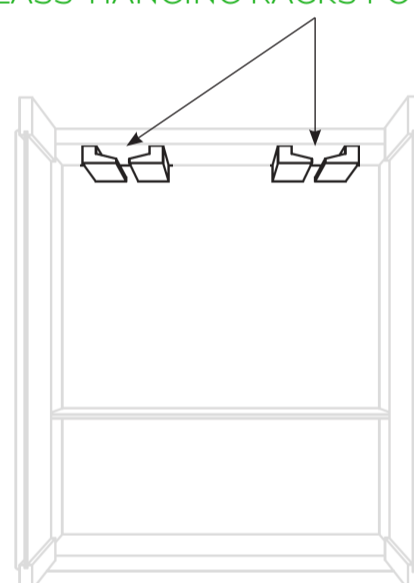


CABINET H - Veneered Wood
W: 77cm D: 35cm H: 81cm
Occupies the space of 3 shelves

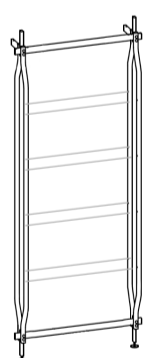
SELECT FITTINGS FINISH



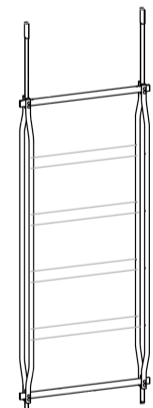
OPTIONAL GLASS-HANGING RACKS FOR CABINETS



CHARLOTTE A
Wall Mounted



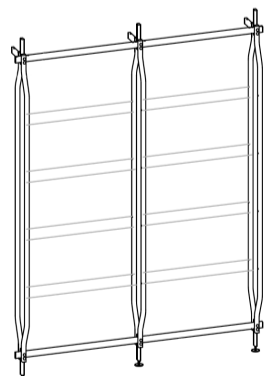
CHARLOTTE F
Ceiling Mounted



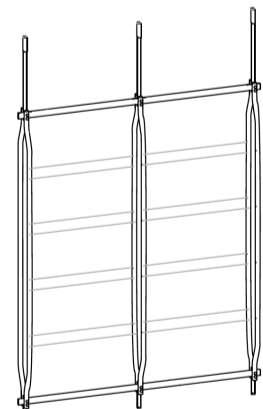
MAXIMUM OF 4 SHELVES, DRAWER UNITS
OR DOOR UNITS

PLEASE NOTE:
1x CABINET G OR H OCCUPIES THE SPACE
OF 3 SHELVES

CHARLOTTE B
Wall Mounted



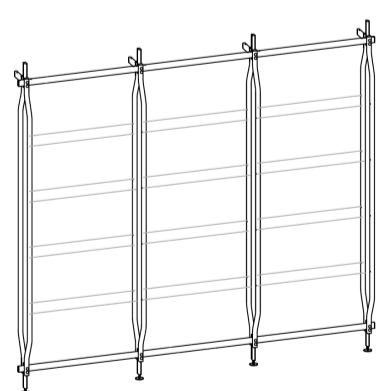
CHARLOTTE G
Ceiling Mounted



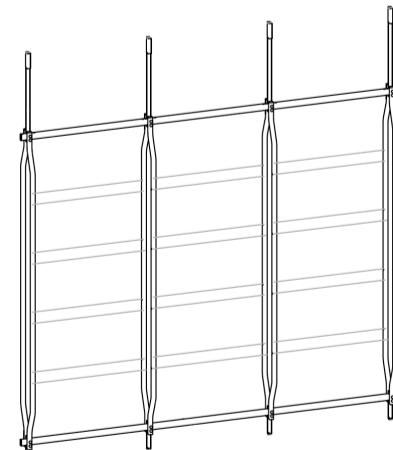
MAXIMUM OF 8 SHELVES, DRAWER UNITS OR
DOOR UNITS

PLEASE NOTE:
1x CABINET G OR H OCCUPIES THE SPACE
OF 3 SHELVES

CHARLOTTE C
Wall Mounted



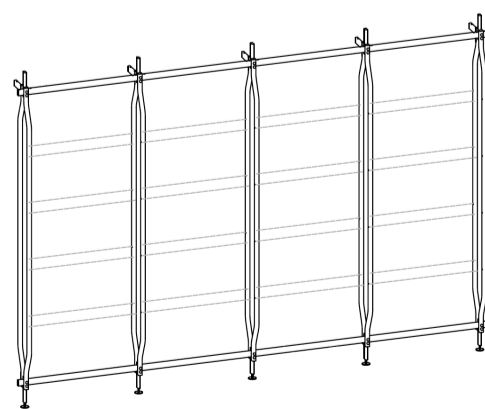
CHARLOTTE H
Ceiling Mounted



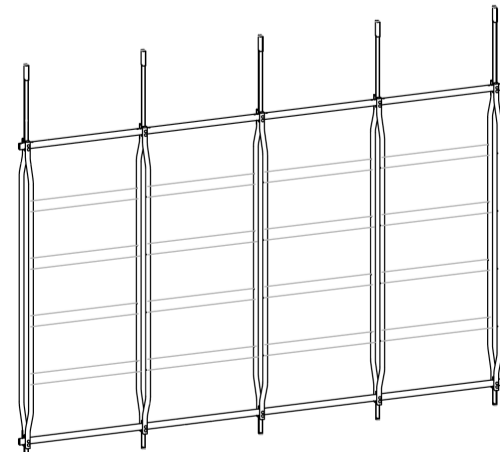
MAXIMUM OF 12 SHELVES, DRAWER UNITS
OR DOOR UNITS

PLEASE NOTE:
1x CABINET G OR H OCCUPIES THE SPACE
OF 3 SHELVES

CHARLOTTE D
Wall Mounted



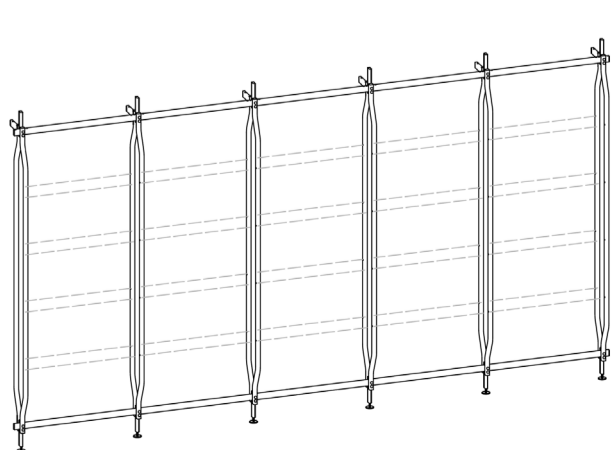
CHARLOTTE I
Ceiling Mounted



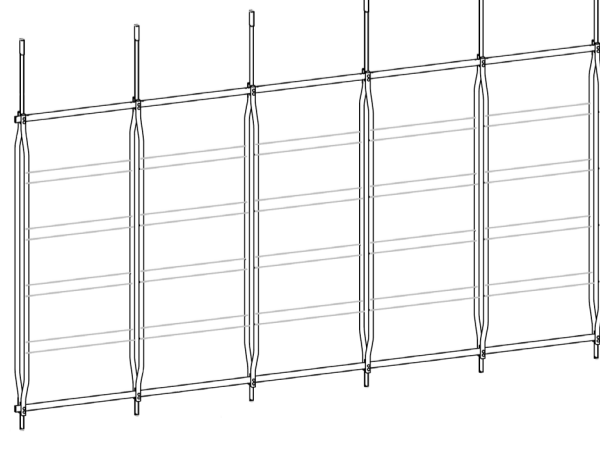
MAXIMUM OF 16 SHELVES, DRAWER UNITS
OR DOOR UNITS

PLEASE NOTE:
1x CABINET G OR H OCCUPIES THE SPACE
OF 3 SHELVES

CHARLOTTE E
Wall Mounted



CHARLOTTE J
Ceiling Mounted



MAXIMUM OF 20 SHELVES, DRAWER UNITS
OR DOOR UNITS

PLEASE NOTE:
1x CABINET G OR H OCCUPIES THE SPACE
OF 3 SHELVES