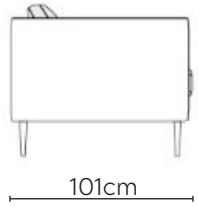


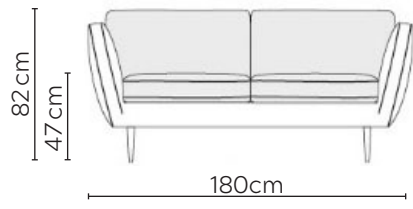
TEDDY SOFA

* NOT TO SCALE

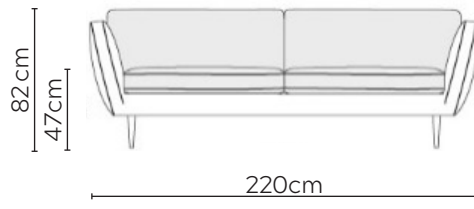
Side Profile



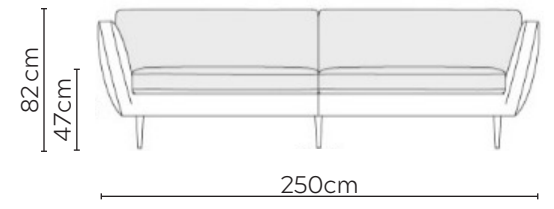
W: 180cm - 2 seat pads



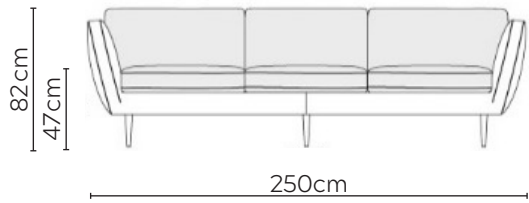
W: 220cm - 2 seat pads



W: 250cm - 2 seat pads, 2-part base



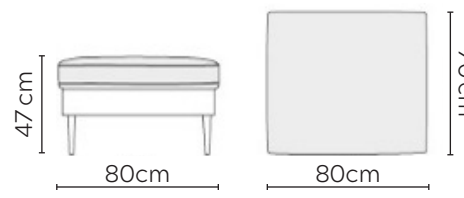
W: 250cm - 3 seat pads, 2-part base



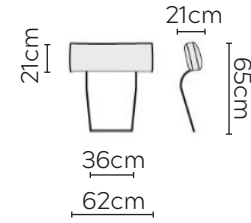
Medium Pouf



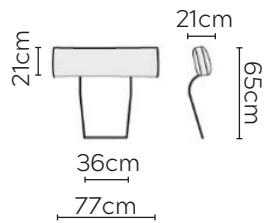
Large Pouf



Medium Headrest



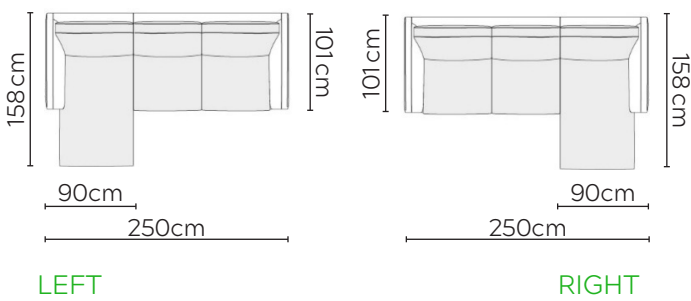
Large Headrest



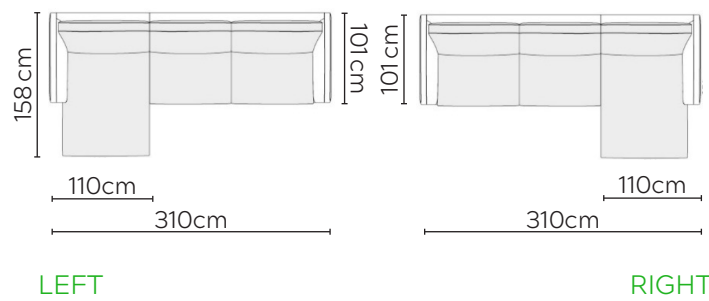
SOFA COMPOSITIONS

LEFT OR RIGHT COMPOSITION IS AS VIEWED FROM AN AERIAL POSITION

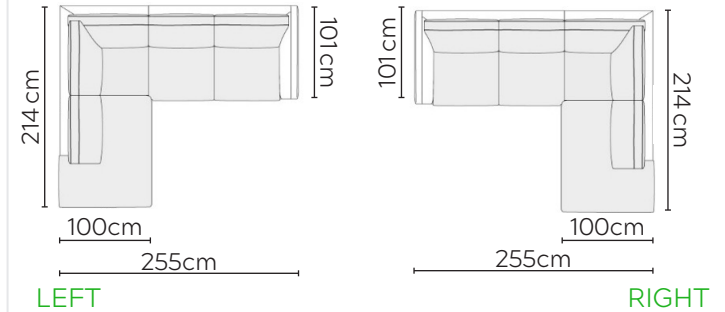
CORNER SOFA SET 1



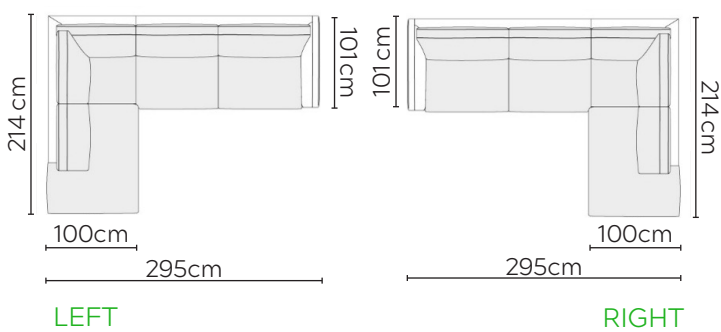
CORNER SOFA SET 2



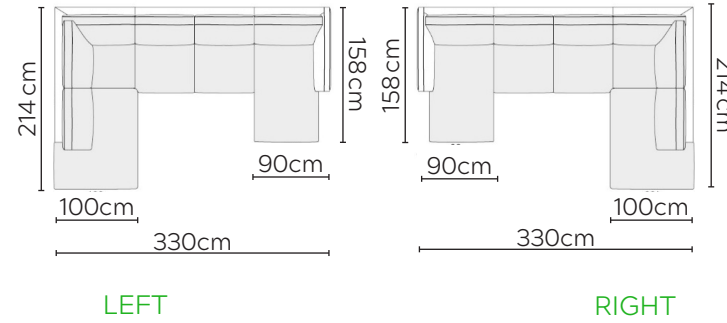
CORNER SOFA SET 3



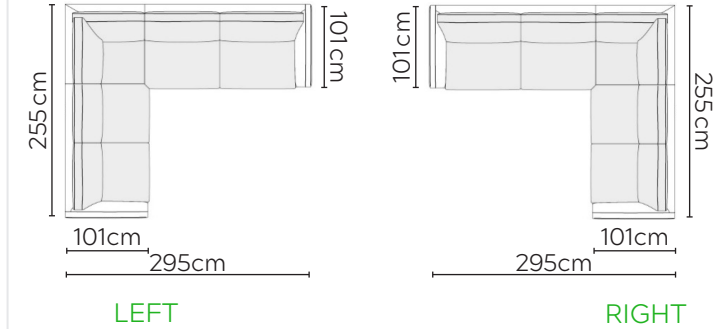
CORNER SOFA SET 4



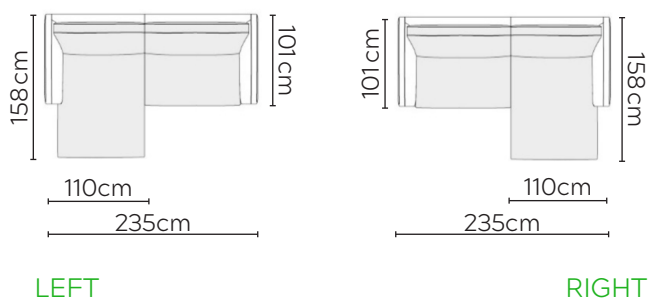
CORNER SOFA SET 5



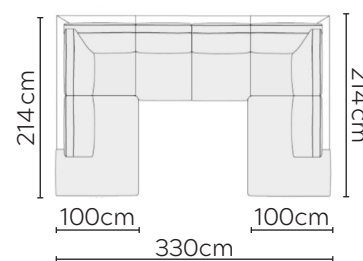
CORNER SOFA SET 6



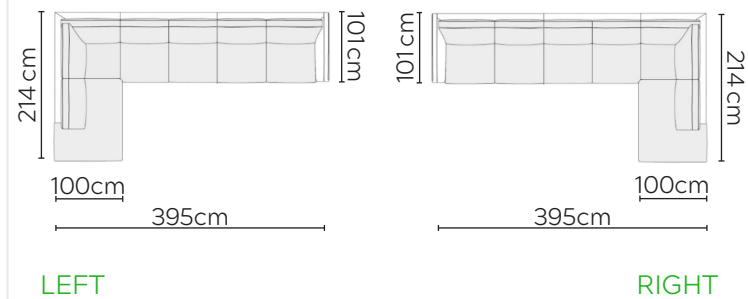
CORNER SOFA SET A



CORNER SOFA SET B



CORNER SOFA SET C



Please allow for a +/- 3cm tolerance on all product elements