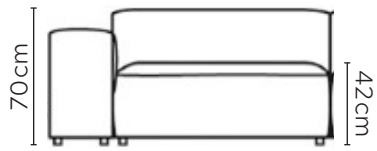


EDDA SOFA

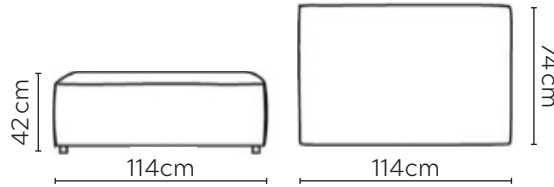
* NOT TO SCALE

ALL COMPOSITIONS:

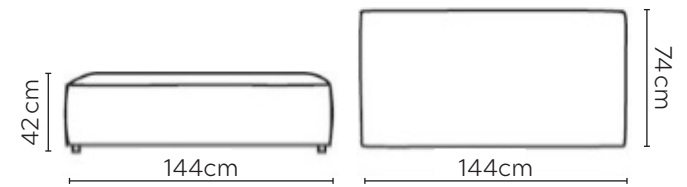
D: 109cm, H: 70cm, Seat Height: 42cm



Medium Pouf



Large Pouf

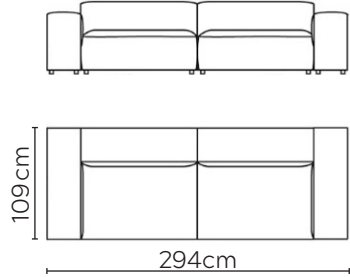


SOFA COMPOSITIONS

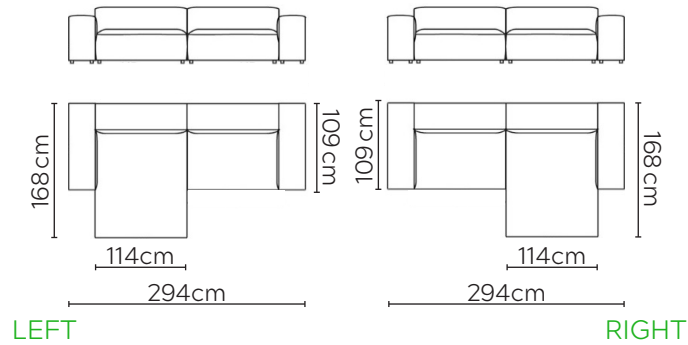
LEFT OR RIGHT COMPOSITION IS AS VIEWED FROM AN AERIAL POSITION

C = COFFEE TABLE

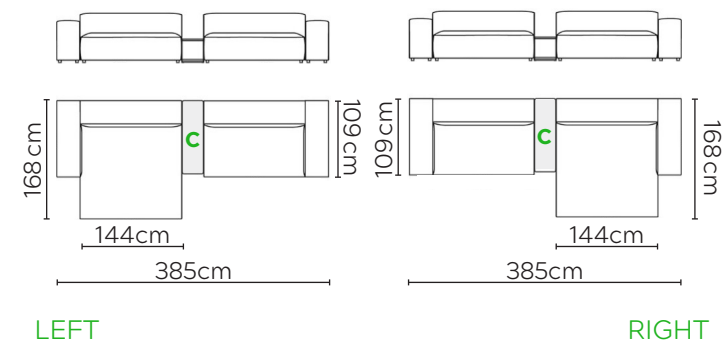
CORNER SOFA SET 1



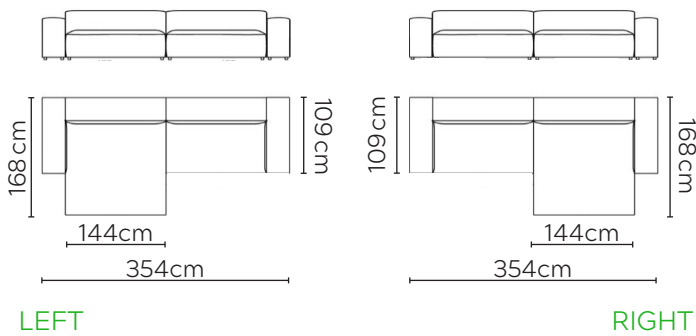
CORNER SOFA SET 2



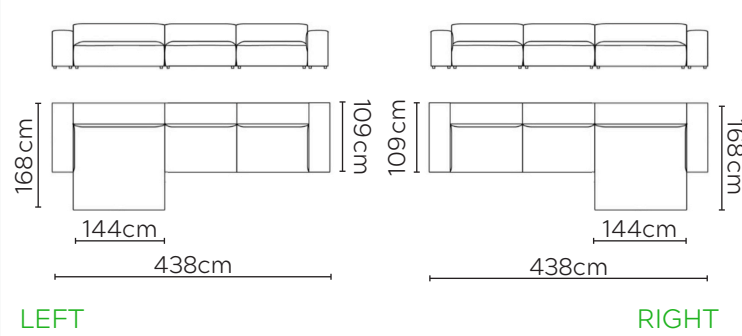
CORNER SOFA SET 3



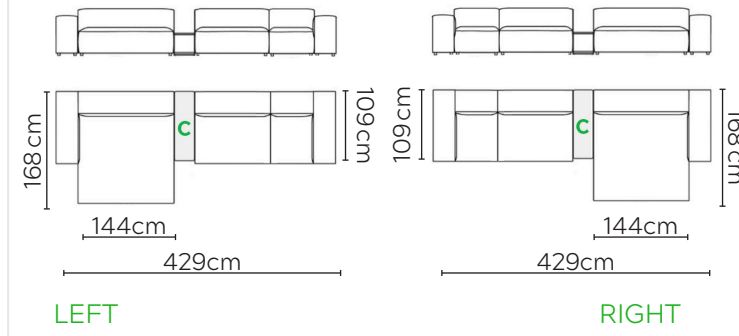
CORNER SOFA SET 4



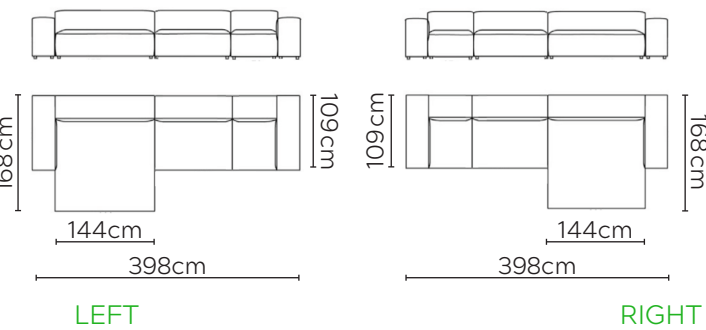
CORNER SOFA SET A



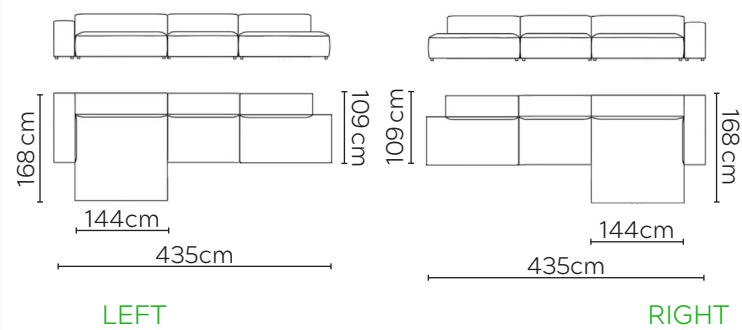
CORNER SOFA SET B



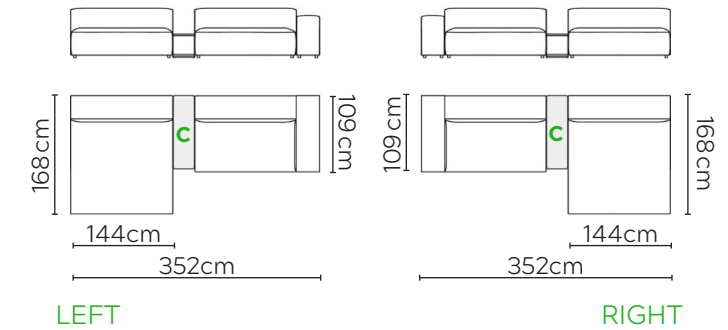
CORNER SOFA SET C



CORNER SOFA SET D



CORNER SOFA SET E



Please allow for a +/- 3cm tolerance on all product elements