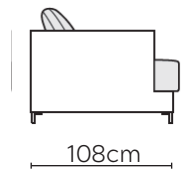


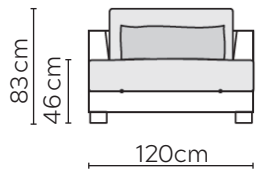
# BRANDON SOFA

\* NOT TO SCALE

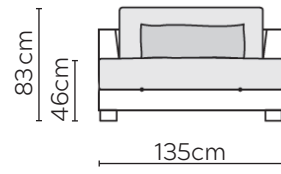
Side Profile



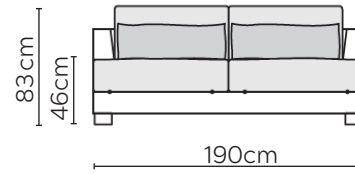
W: 120cm - Armchair



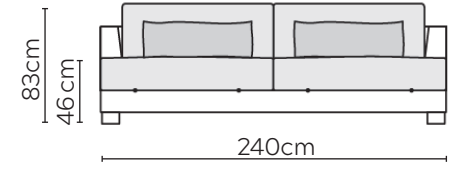
W: 135cm - Wide Armchair



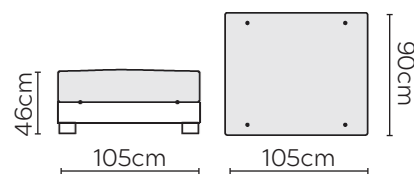
W: 190cm - 2 seat pads



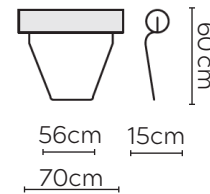
W: 240cm - 2 seat pads



Pouf



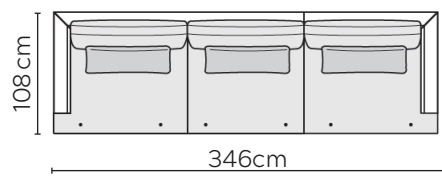
Headrest



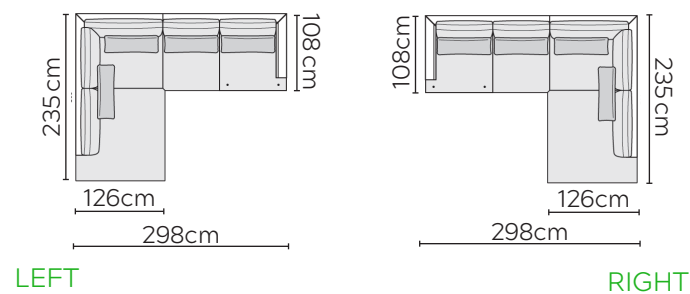
## SOFA COMPOSITIONS

LEFT OR RIGHT COMPOSITION IS AS VIEWED FROM AN AERIAL POSITION

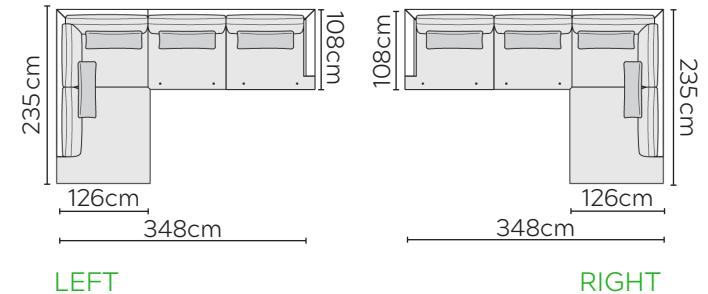
SOFA SET 1



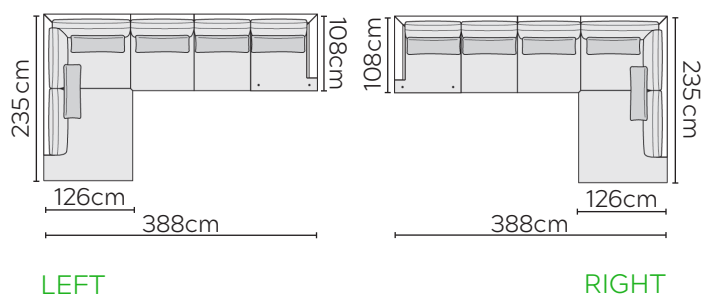
CORNER SOFA SET 2



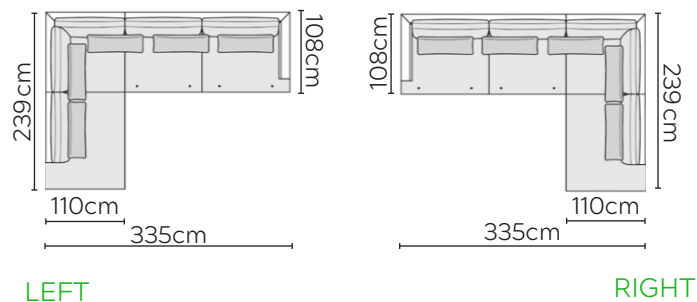
CORNER SOFA SET 3



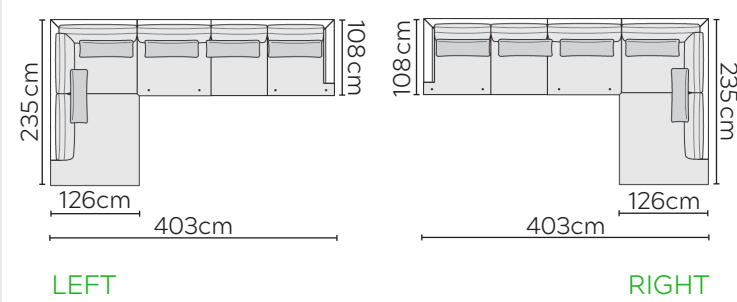
CORNER SOFA SET 4



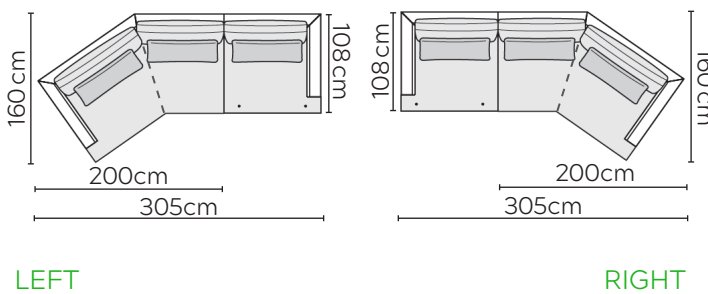
CORNER SOFA SET 16



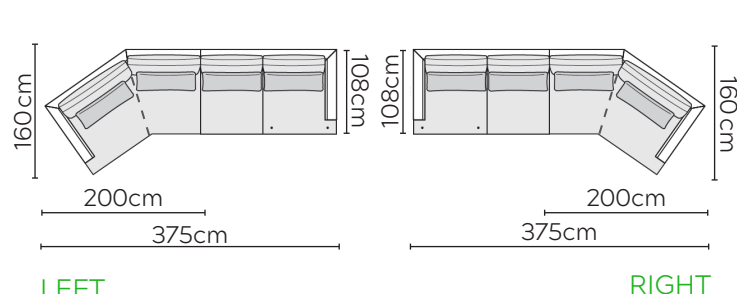
CORNER SOFA SET A



CORNER SOFA SET B



CORNER SOFA SET C



Please allow for a +3cm tolerance on all product elements