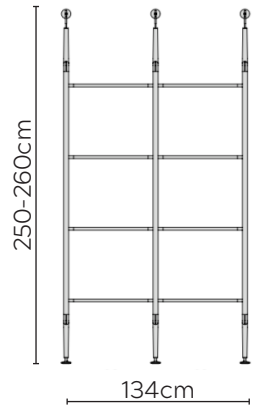


ARIA BOOKCASE

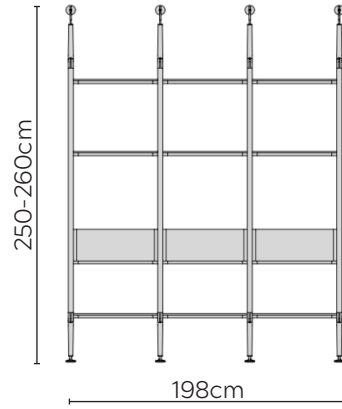
* NOT TO SCALE

COMPOSITION A



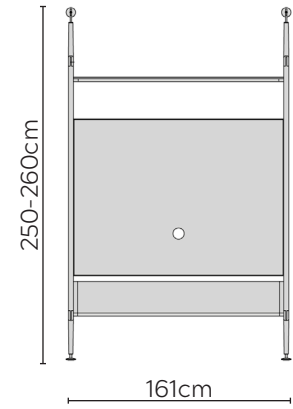
- 2 VERTICAL OUTER COLUMNS
- 1 VERTICAL CENTRAL COLUMN
- 8 GLASS SHELVES

COMPOSITION B



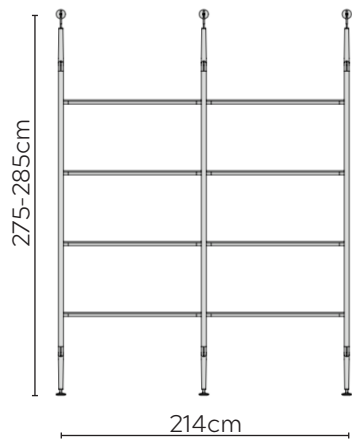
- 2 VERTICAL OUTER COLUMNS
- 2 VERTICAL CENTRAL COLUMNS
- 9 WOOD SHELVES
- 3 DRAWER UNITS

COMPOSITION C



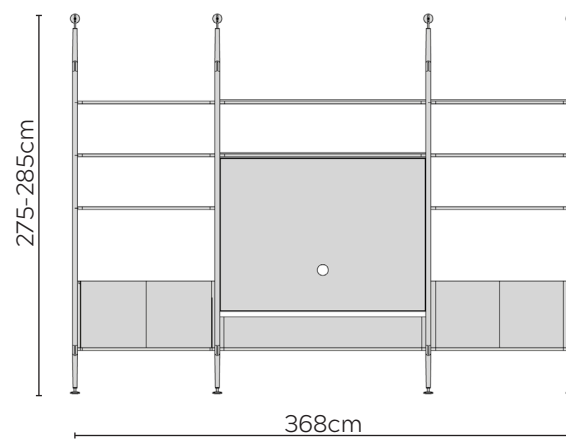
- 2 VERTICAL OUTER COLUMNS
- 1 WOOD SHELF
- 1 MEDIA UNIT
- 1 TV BOARD

COMPOSITION D



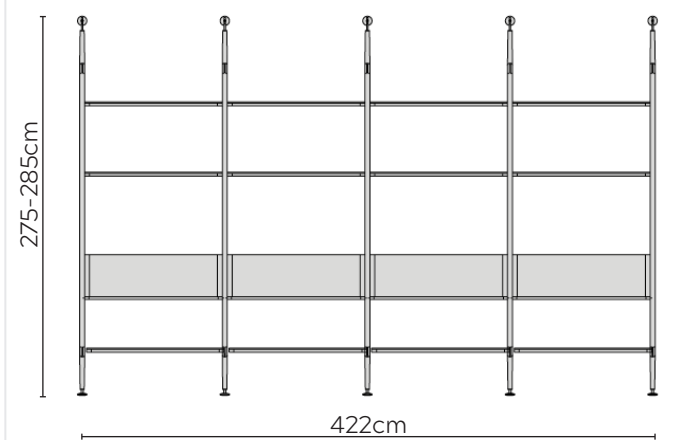
- 2 VERTICAL OUTER COLUMNS
- 1 VERTICAL CENTRAL COLUMN
- 8 WOOD SHELVES

COMPOSITION E



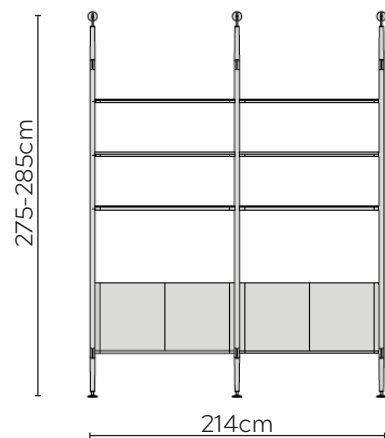
- 2 VERTICAL OUTER COLUMNS
- 2 VERTICAL CENTRAL COLUMNS
- 6 GLASS SHELVES
- 2 DOOR UNITS
- 2 WOOD SHELVES
- 1 MEDIA UNIT
- 1 TV BOARD

COMPOSITION F



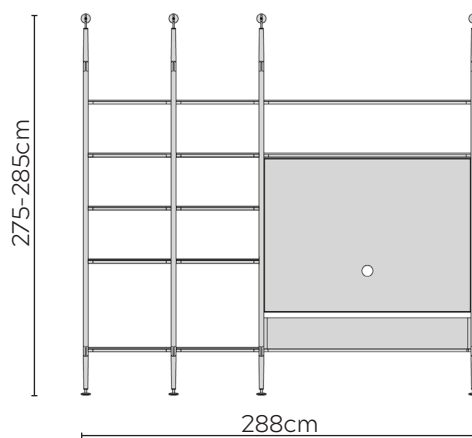
- 2 VERTICAL OUTER COLUMNS
- 3 VERTICAL CENTRAL COLUMNS
- 12 WOOD SHELVES
- 4 DROP-DOWN DOOR UNITS

COMPOSITION G



- 2 VERTICAL OUTER COLUMNS
- 1 VERTICAL CENTRAL COLUMN
- 6 WOOD SHELVES
- 2 DOOR UNITS

COMPOSITION H



- 2 VERTICAL OUTER COLUMNS
- 2 VERTICAL CENTRAL COLUMNS
- 12 WOOD SHELVES (10 MEDIUM, 2 WIDE)
- 1 MEDIA UNIT
- 1 TV BOARD